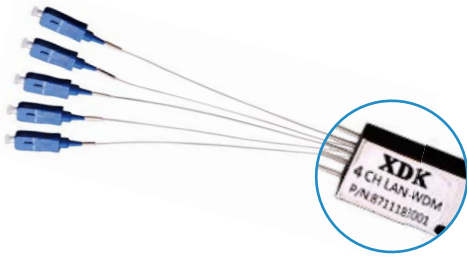


# LAN WDM Module

## Description



LAN WDM utilizes free space technology, with ultra-compact size and high reliability. It can be widely used in 40Gbps or 100Gbps application. All XDK's WDM products are Telcordia GR-1209 and GR-1221 compliance.

## Feature

- Low insertion loss
- High stability and reliability
- High channel isolation
- Ultra compact size
- Epoxy-free on optical path

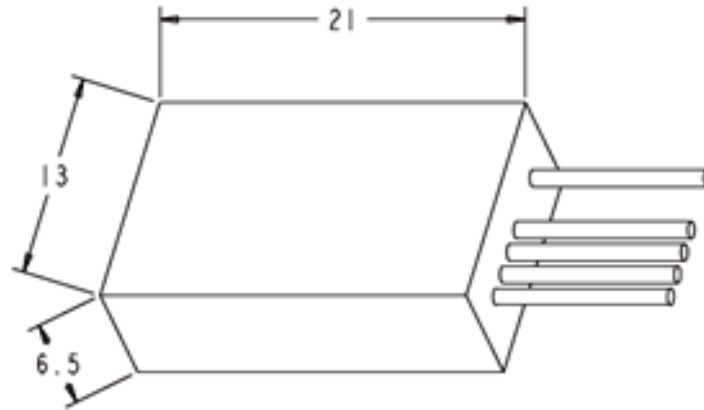
## Application

- WDM network
- CFP transceivers
- Data communication
- 40G or 100G applications

## Specification

| Items                        |              | Unit | Parameter       |
|------------------------------|--------------|------|-----------------|
| Channel Wavelength           | CH1          | nm   | 1294.53-1296.59 |
|                              | CH2          |      | 1299.02-1301.09 |
|                              | CH3          |      | 1303.54-1305.63 |
|                              | CH4          |      | 1308.09-1310.19 |
| Wavelength Range             |              | nm   | 1280-1330       |
| Channel Spacing              |              | GHz  | 800             |
| Insertion Loss               |              | dB   | ≤1.5            |
| Isolation                    | Adjacent     | dB   | ≥25             |
|                              | Non-adjacent |      | ≥35             |
| Channel Ripple               |              | dB   | ≤0.5            |
| Polarization Dependent Loss  |              | dB   | ≤0.5            |
| TDL                          |              | dB   | ≤0.5            |
| Uniformity                   |              | dB   | ≤1.0            |
| Polarization Mode Dispersion |              | ps   | ≤0.2            |
| Return Loss                  |              | dB   | ≥45             |
| Directivity                  |              | dB   | ≥50             |
| Maximum Power Handling       |              | mw   | ≤300            |
| Operating Temperature        |              | °C   | -5~70           |
| Storage Temperature          |              | °C   | -40~85          |
| Packing                      |              | mm   | 21*13*6.5       |

## Description



## Order Information

| 85      | X                                    | X                 | X                     | XX                                  | X   | X                             | X   |
|---------|--------------------------------------|-------------------|-----------------------|-------------------------------------|---|-------------------------------|---|
| Type    | Function                             | Wavelength        | Channel               | ITU wavelength                      | Connector   | Diameter                      | Fiber Mode                                  |
| LAN WDM | 0=Mux<br>&Demux<br>1= Mux<br>2=Demux | 8=800G<br>9=Other | 4=4<br>8=8<br>9=Other | 73=1273.54nm<br>95=1295.56nm<br>... | 0=None<br>1=LC/UPC<br>2=SC/UPC<br>3=FC/UPC<br>4=ST/UPC<br>9=Other | 0=250um<br>1=900um<br>9=Other | 1=G657A1<br>2=G657A2<br>3=G652D<br>9 =Other |

### EXAMPLE:

8518495111 LAN-WDM, Mux, 800G, 4 Channel, 1295.56nm, LC/UPC, 900um, G657A1

8528873212 LAN-WDM, DeMux, 800G, 8 Channel, 1273.54nm, SC/UPC, 900um, G657A2